

I/P® Easy-Load® Pump Heads

Minimize downtime with faster tubing changes

- Optimize pressure capabilities and tubing life with adjustable occlusion
- Less maintenance and quieter operation with included tang boot
- No more loose pump heads—five-screw mounting for more secure attachment
- Adjust flow rate to your needs—can pump from 0.6 to 13 LPM
- PSF housing with CRS or SS rotor, or PPS housing with SS rotor available. PPS has better chemical resistance than PSF. CRS rotors have sealed bearings; SS rotors have PTFE-sealed bearings

FEATURES

- ✓ Load tubing without removing pump head from drive
- ✓ Automatic tubing retention
- ✓ Stack up to two pump heads
- ✓ ATEX Zone 2 rated model available



PSF pump head
77602-00



PPS pump head
77601-60

ISO9001:2008
CERTIFIED SUPPLIER

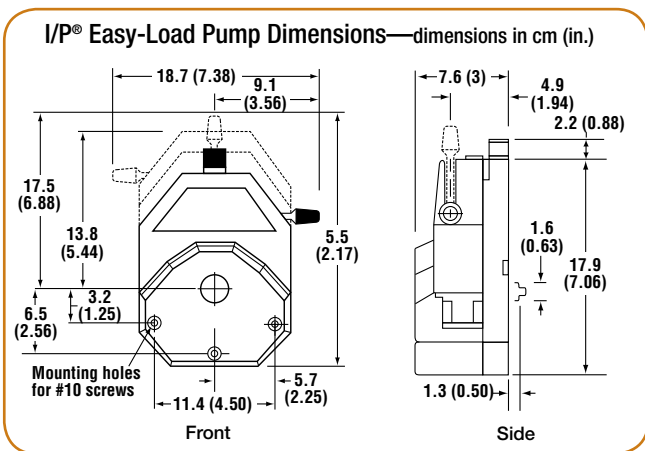
ATEX
Zone 2
77602-80



Pump tubing sizes accepted	mL per rev	Flow rates (LPM) at indicated rpm			Maximum system psi (bar)	Catalog number†			
		100	540	20 to 650		PSF housing, CRS rotor	PSF housing, SS rotor	PPS housing, SS rotor	ATEX-approved; PSF housing, SS rotor
I/P 26	6.15	0.6	3.2	0.12 to 4	40 (2.7)	GY-77602-00	GY-77602-10	GY-77601-60	GY-77602-80
I/P 73	12.3	1.2	6.8	0.2 to 8					
I/P 82	20.0	2.0	11.0	0.4 to 13	20 (1.4)				
Price									

†PSF = polysulfone PPS = polyphenylene sulfide CRS = cold-rolled steel SS = stainless steel

GY-77601-96 Dual-channel mounting hardware for two pump heads, stainless steel



Teky's Tips



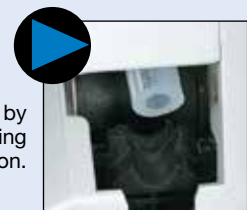
Loading Your Pump Head



Move lever to the left to open pump head. Load the correct size tubing.



Rotate the lever to the right to close head. Adjust occlusion setting by turning knob on top of pump head.



Tubing is retained by automatic tubing retention.

Wait!

There's More at ColeParmer.com

Find all the product specs you need!