

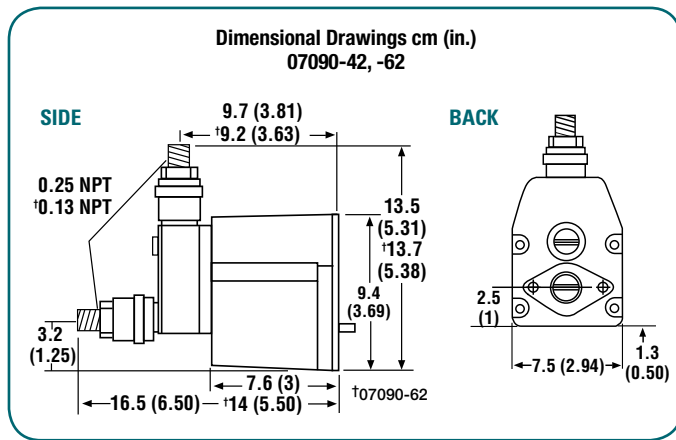
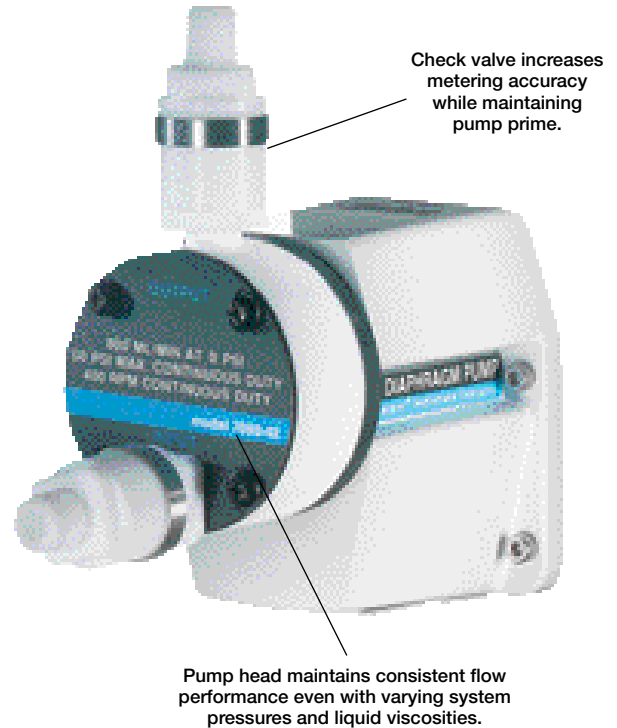
# L/S® PTFE-Diaphragm Pump Heads

Ideal for accurate chemical feed/metering and high-purity, high-pressure applications. or both

- Turns a L/S drive into a chemically inert diaphragm pump—PTFE material resists even the most aggressive chemicals
- High metering accuracy—maintain ±2% repeatability
- Self-priming—wet or dry
- Intermittent pressure capabilities: maintains consistent flow performance up to 100 psi (6.9 bar)
- Compatible with L/S drives that accept two or more pumpheads; recommended operating speed range is 40 to 400 rpm

**FEATURES**

- ✓ Designed for demanding chemical compatibility and high-purity applications
- ✓ Maintain ±2% repeatability across system pressures and fluid viscosities
- ✓ Maintain a constant flow up to 100 psi (6.9 bar)



**Specifications**

<b>Repeatability:</b> ±2%	<b>Cracking pressure:</b> <1 psi (68 mbar)	<b>Dimensions (W x H x D):</b> 3" x 6" x 6½" (7.6 x 15.2 x 16.5 cm)
<b>Max fluid temperature:</b> 149°F (65°C)	<b>Wetted parts:</b> PTFE diaphragm, body, valve seat, and spring; PTFE ball check in 07090-42, borosilicate glass ball check in 07090-62	
<b>Drive requirements:</b> minimum ¼ hp		



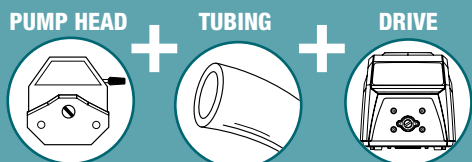
Flow rate at 40 to 400 rpm		Max pressure, psi (bar)		Metering pressure range	Max suction lift		Max dead volume	Intake/discharge ports	Catalog number	Price
ml/min	GPH	Continuous	Intermittent		Dry	Wet				
80 to 800	1.3 to 12.7	50 (3.4)	75 (5.0)	3 to 50 psi (0.2 to 3.4 bar)	24" (61 cm)	16 ft (4.9 m)	16 mL	¼" NPT(M)	<a href="#">GY-07090-42</a>	
10 to 100	0.16 to 1.6	75 (5.0)	100 (6.9)		10" (25.4 cm)	10 ft (3 m)				

**Accessories**

- [GY-07090-43 Service kit](#) for 07090-42; includes diaphragm, check valves, installation tool and instructions
- [GY-07090-45 Check valve](#) for 07090-42
- [GY-07090-63 Service kit](#) for 07090-62; includes diaphragm, check valves, installation tool and instructions
- [GY-07090-65 Check valve](#) for 07090-62

Choose a Complete System

One catalog number includes all 3!



System	Flow range	What's included?			Power	Catalog number	Price
		Pump head	Tubing	Drive			
	80 to 800 mL/min	PTFE-diaphragm pump head 07090-42 (above)	PTFE-extension tubing 06605-35, 12 ft	Variable-speed drive 07528-10 6 to 600 rpm	90 to 260 VAC, 50/60 Hz	<a href="#">GY-77915-10</a>	

Note: System also includes two ¼" NPT(M) pipe adapters and check valve.