



 **Cole-Parmer®**

PENDOTECH PRESSURE MONITORING SYSTEM

THE EASY WAY TO ENSURE
ACCURACY AND QUALITY IN YOUR
FLUID HANDLING PROCESSES

**Cole-Parmer®
EXCLUSIVE**



PendoTECH Pressure Monitoring System

Introducing the PendoTECH pressure monitoring and transmitting system, the easy solution for your bioprocessing needs. This innovative system measures static and dynamic pressures but eliminates costly stainless steel pressure sensors that require repeated cleaning. By integrating single-use pressure sensors with a standard monitor, PendoTECH ensures system integrity while saving you time and cleaning costs.

- No more downtime to clean conventional stainless steel sensors
- A simple way to integrate scales, valves, pumps, and alarms
- Multiple sensor options match the scale of your production process

APPLICATIONS

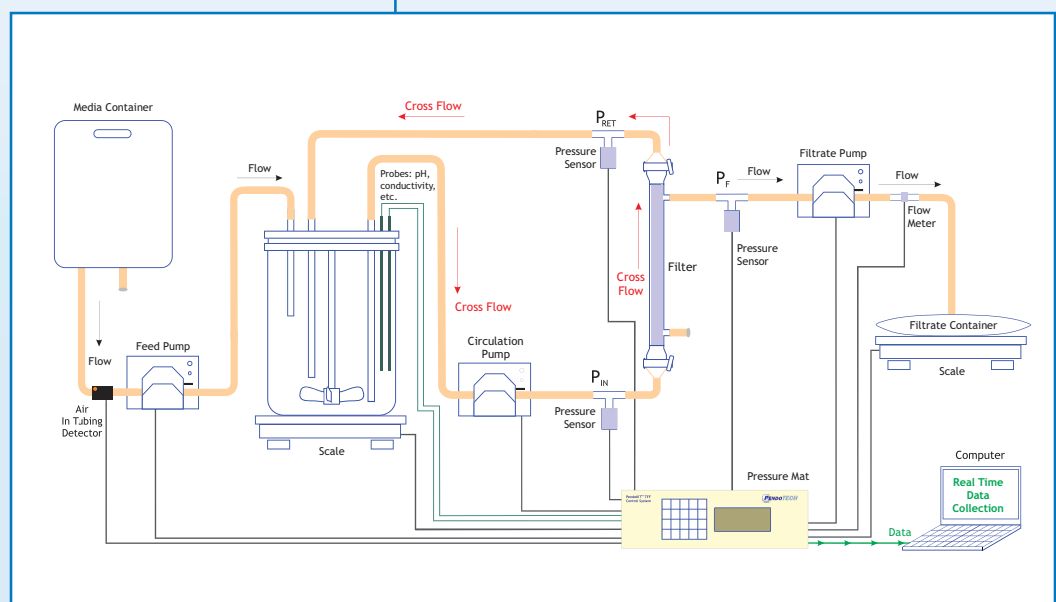
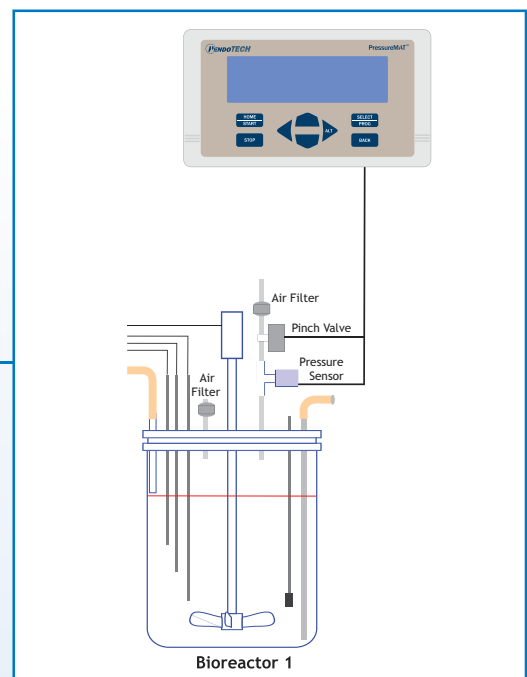
Easy integration into several different areas of your process including bioreactor control, filter screening, depth filtration, cross flow filtration, chromatography, liquid transfer, and fill operations.

BIOREACTOR MONITORING

- An easy solution to provide pressure relief and control in your reactor chamber

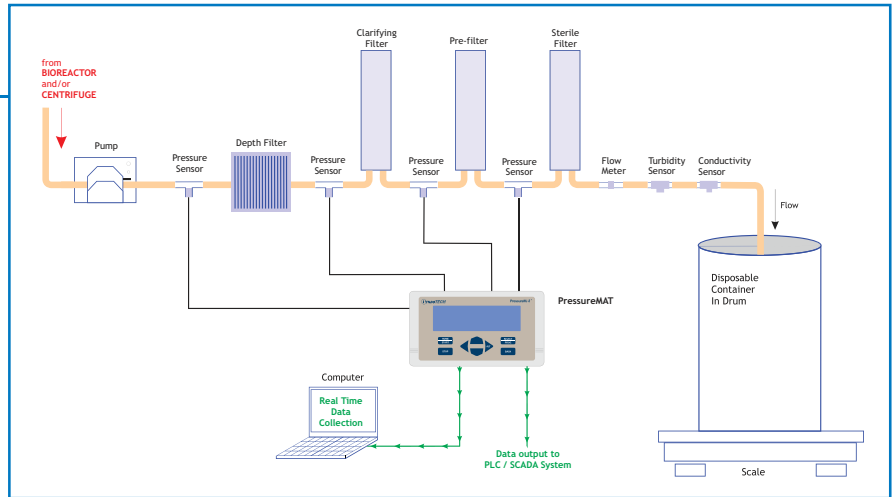
FILTER SCREENING

- Use during scale-up or development to determine optimal filter size and sequence



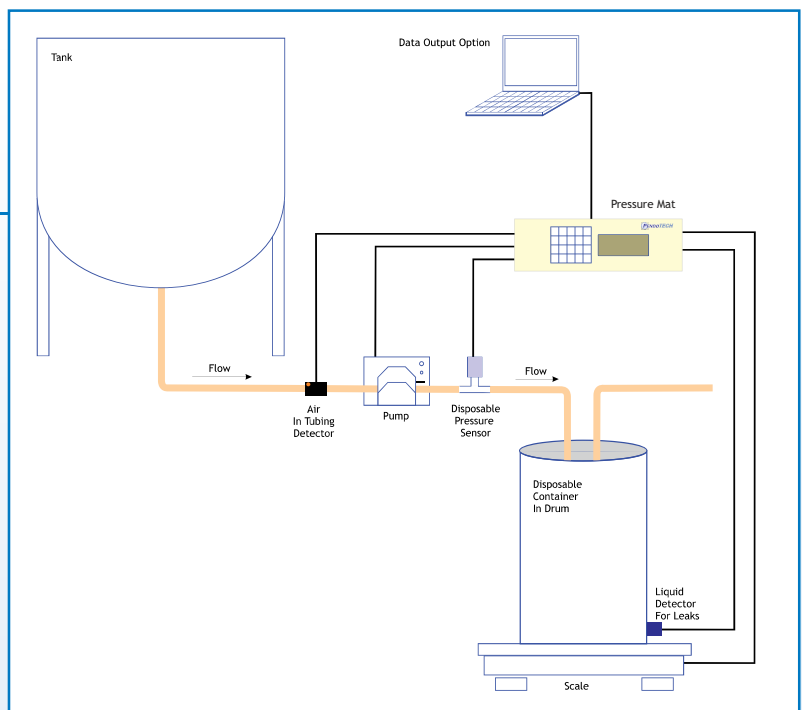
DEPTH FILTRATION

- Ideal for cross flow filtration, tangential flow filtration (TFF), depth filtration/cell removal, or filter screening
- Monitor back pressure from successive depth, clarifying, pre-, and sterile filter elements



LIQUID TRANSFER CONTROL

- Integrate your equipment (pumps, scales, valves) easily and seamlessly into full-scale production processes
- Set high/low points to control pumps, valves, and/or alarms.



For further information,
go to ColeParmer.com

[CLICK HERE](http://ColeParmer.com)

HOW THE SYSTEM WORKS

Single-use sensors allow maximum versatility in your system design. They are available for ¼" to 1" tubing ID, in either process-scale or small-scale sizes, and in sterile or non-sterile packaging. Select either polycarbonate or caustic-resistant polysulfone material—both are an economical alternative to stainless steel sensors currently in the market. Sensors are priced for single-use systems but may be reused. Connect sensor to monitor with included 12-foot cable.

The complete PendoTECH system requires a PressureMAT™ monitor and up to four single-use pressure sensors.

Choose your PressureMAT monitor according to the number of sensor inputs required (1 to 4); each channel takes pressure readings once per second. The monitor features easy-to-read LCD, user-configurable alarms, and single-button zero calibration. The unit may also transmit output via a 4 to 20 mA signal or can provide RS-232 data transfer for use in common PC applications, such as Excel®, through WinWedge or Hyper Terminal software.

